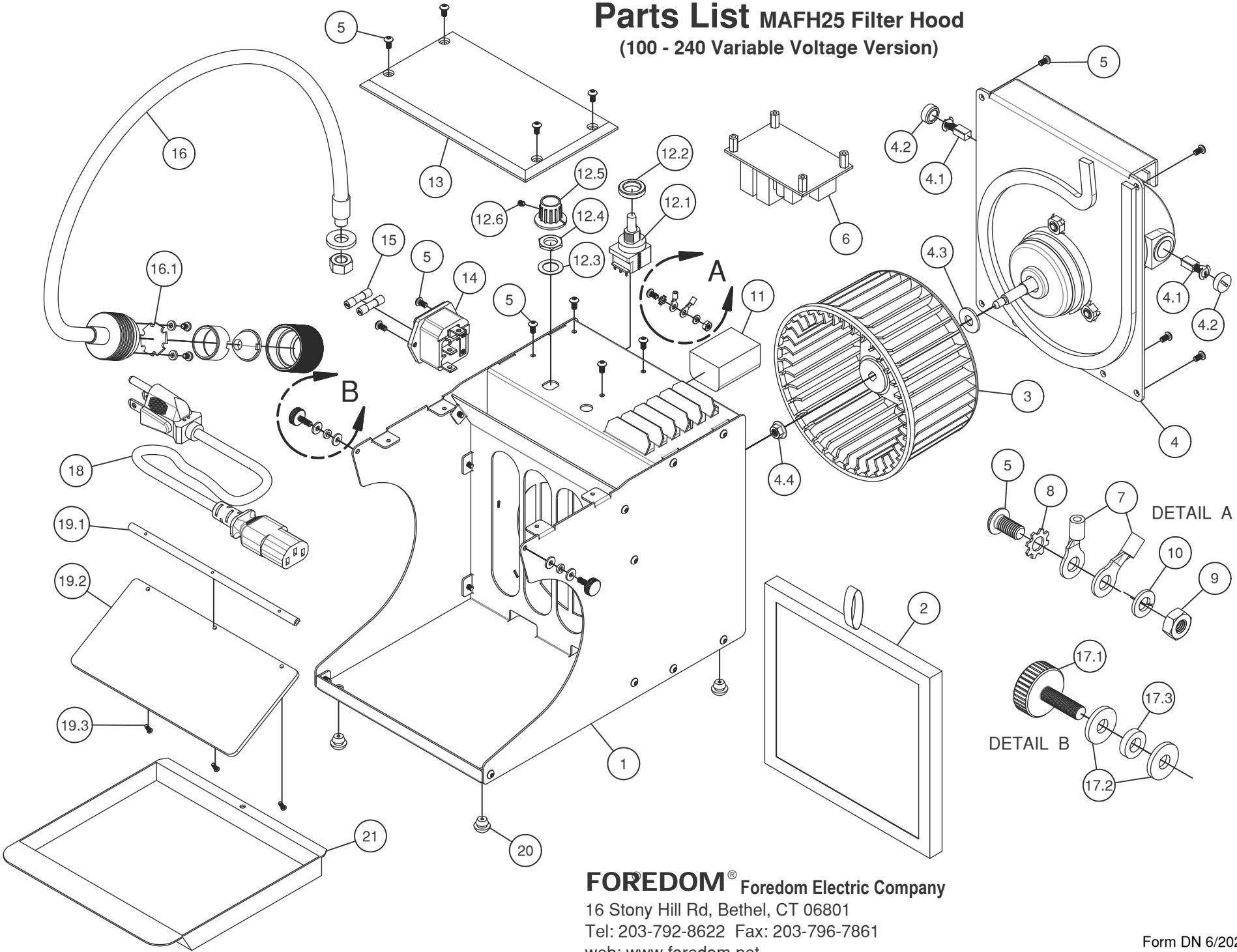


Parts List MAFH25 Filter Hood

(100 - 240 Variable Voltage Version)



FOREDOM® Freedom Electric Company
 16 Stony Hill Rd, Bethel, CT 06801
 Tel: 203-792-8622 Fax: 203-796-7861
 web: www.foredom.net

Parts List Filter Hood Foredom P/N MAFH25 (100 - 240 Variable Voltage Version)

| Item | Foredom P/N | Description | Qty |
|------|-------------|--|-----|
| 1 | — | Housing Assembly | 1 |
| 2 | | Filter Options | |
| | MAFH107-5 | Polyester (5 Pack) | |
| | MAFH108-5 | 1/2 Carbon (5 Pack) | |
| | MAFH109-5 | Pleated (5 Pack) | |
| | MAFH120 | 2 Poly, 2 Poly/Carbon, and 1 Pleated Paper | |
| 3 | MAFH111 | Fan Wheel | 1 |
| 4 | MAFH113 | Motor/Rear Panel Assembly | 1 |
| 4.1 | MP251P | Motor Brush (Pair) | 2 |
| 4.2 | MP252 | Motor Brush Cap | 2 |
| 4.3 | — | Flat Washer, M7 | 1 |
| 4.4 | — | Flange Nut, M5 | 1 |
| 5 | — | Screw, M3 x 6mm, Hex Socket Button Head | 33 |
| 6 | MAFH114 | Circuit Board, Standoffs and Screws | 1 |
| 7 | — | Ring Terminal, M3, AWG 18 | 2 |
| 8 | — | Lock Washer, M3, External Tooth | 1 |
| 9 | — | Nut, M3 | 1 |
| 10 | — | Helical Spring Lock Washer, M3 | 1 |
| 11 | MAFH118 | LED Light Driver | 1 |
| 12 | MAFH116 | Potentiometer, Spacer, Nut, Washer, Knob | 1 |
| 12.1 | — | Speed Potentiometer with On/Off Switch | 1 |
| 12.2 | — | Spacer, Potentiometer | 1 |
| 12.3 | — | Flat Washer, M10 | 1 |
| 12.4 | — | Nut, Speed Potentiometer | 1 |
| 12.5 | — | Knob, Speed Potentiometer | 1 |
| 12.6 | — | Set Screw, M3 x 4mm, Hex Socket Flat Point | 1 |

| Item | Foredom P/N | Description | Qty |
|------|-------------|-----------------------------------|-----|
| 13 | MAFH102 | Fixed Window | 1 |
| 14 | — | AC Power Inlet | 1 |
| 15 | CP10513 | Fuse, 5mm x 20mm, 3A | 2 |
| 16 | MAFH119 | LED Light Assembly | 1 |
| 16.1 | MAFH106 | LED Bulb Module (Plug-In) | 1 |
| 17 | MAFH121 | Thumb Screw with Washers | 2 |
| 17.1 | UAL-310 | Thumb Screw, M3 x 10mm Long | 1 |
| 17.2 | UAL-311 | Flat Washer, M3 | 2 |
| 17.3 | UAL-312 | Nylon Spacer, Ø3mm x Ø6mm x 1.5mm | 1 |
| 18 | | Detachable Cordset Options | 1 |
| | CP10831 | North American | |
| | CP10834 | United Kingdom | |
| | CP10835 | Continental European | |
| | CP10836 | Australian | |
| | CP10838 | Israeli | |
| 19 | MAFH103 | Pivoting Window Assembly | 1 |
| 19.1 | — | Support Rod | 1 |
| 19.2 | — | Pivoting Window | 1 |
| 19.3 | — | Screw, M2 x 6mm | 3 |
| 20 | — | Rubber Foot | 4 |
| 21 | MAFH105 | Tray | 1 |

FOREDOM® Foredom Electric Company

16 Stony Hill Rd, Bethel, CT 06801

Tel: 203-792-8622 Fax: 203-796-7861

web: www.foredom.net

Form DN 6/2021