

SPRING WINDER INSTRUCTIONS

Spring winder will need to be secured to work bench. You must purchase a set of clock let down keys to go along with the spring winder. A pair of leather gloves is also needed to protect your hands.

Loop-end Springs

With a loop end spring there are two places to hook it. The left end of the Winder, which is moveable, has a post mounted in it for this purpose. There are hooks in the middle which also slide, is the second place. These hooks can also be reversed. Take the winding arbor from the clock and select the right size of let down key. Place let down key in the racket end spring winder. Insert arbor into let down key; slide left end of spring winder to clamp arbor; tighten left end with plastic knob. (See illustration)

1st Method

Place loop of spring onto post sticking out of left end of Spring Winder. Wind Spring until it is small enough, place U-clamp over spring. Reverse the racket and slowly let down spring. Remove from Spring Winder. The spring is now ready to remove from arbor.

2nd Method

This method is the same as above with the exception of using the hooks on the separate slide in the middle of the Spring Winder. These hooks are reversible and experience will teach you which way they should be. Hook the spring onto small hook (that is bent to one side) and wind spring. Place U-clamp over spring, reverse racket, let down spring and remove.

Hole End Spring and/or Barrel Springs

Select the right size let down key for the winding arbor. Insert let down key into racket end of Spring Winder. There are mainspring-holding sleeves in assorted sizes supplied with the Spring Winder. Select a sleeve that is about 1/8" smaller in diameter than the inside diameter of the barrel. Place sleeve on end of Spring Winder next to exposed end of the spring in the barrel. (See illustration)

1st Method

Make sure winding arbor and barrel is secured in Spring Winder. Put on leather glove on Left hand. Hold barrel tight with left hand while winding spring with right hand. After spring is small Enough insert sleeve over spring and turn sleeve for about ¼ turn. Slowly release barrel and let it slowly spin in left hand until pressure is gone. Remove from Spring Winder, twist spring and unhook from barrel and pull spring out of barrel. Place into Spring Winder and hook the spring with one of the small curled hooks on the slide in the middle of the Winder. Wind spring up until sleeve can be removed. Reverse racket and slowly let down spring. Remove spring and arbor and it is ready for replacing or cleaning.

2nd Method

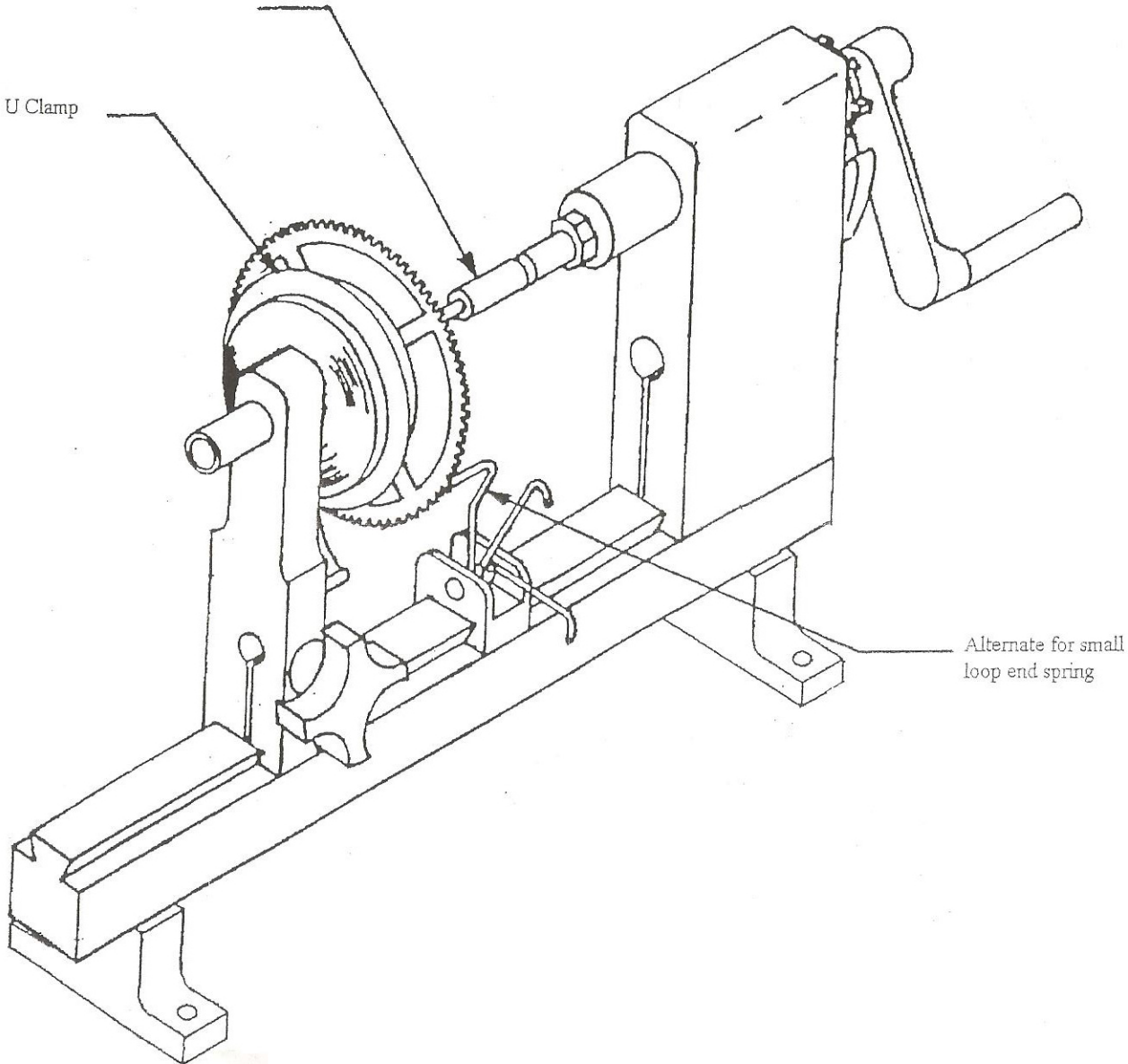
This method is the same except instead of holding the barrel with your hand, use the pipe clamp supplied and set-up is as illustrated.

Installation of Spring

Installation of spring in both cases is same as removal in reverse.

Let Down Tool

U Clamp



Alternate for small
loop end spring

