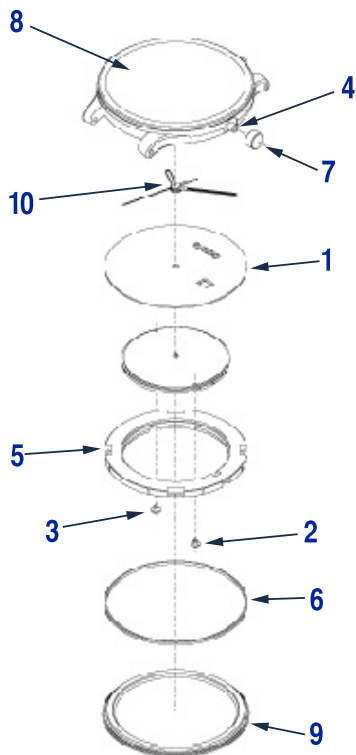


Reference:
04.111.0930.3.001



	Reference	Name
Kit		
→	06.2906	10 Hands Set, Centrix S, gold SLN
→	55.1872.53.10	6,8 Crystal kit met. Centrix S yellow, black
→	90.0292	6,7 Kit for waterproofness
Components		
→	03.111.014	Movement
→	05.0930.071	1 Dial black J, Centrix S
→	40.0018	2 Casing screw, ETA Z0080772
→	40.0018	3 Casing screw, ETA Z0080772
→	40.7342	4 Crown tube 1.60 x 1.60 / 1.40 x 1.30
→	40.8603	5 Casing ring Centrix S/Florence S
→	47.4564	6 Caseback gasket 24.50 x 0.75/0.62, Asutan
→	48.607.05	7 Crown yellow, 0930/0932/0528, LG 10.77
→	55.1872.53	8 Crystal met. Centrix S yellow, black
→	82.111.0930.3	9 Caseback w/marks, Centrix S