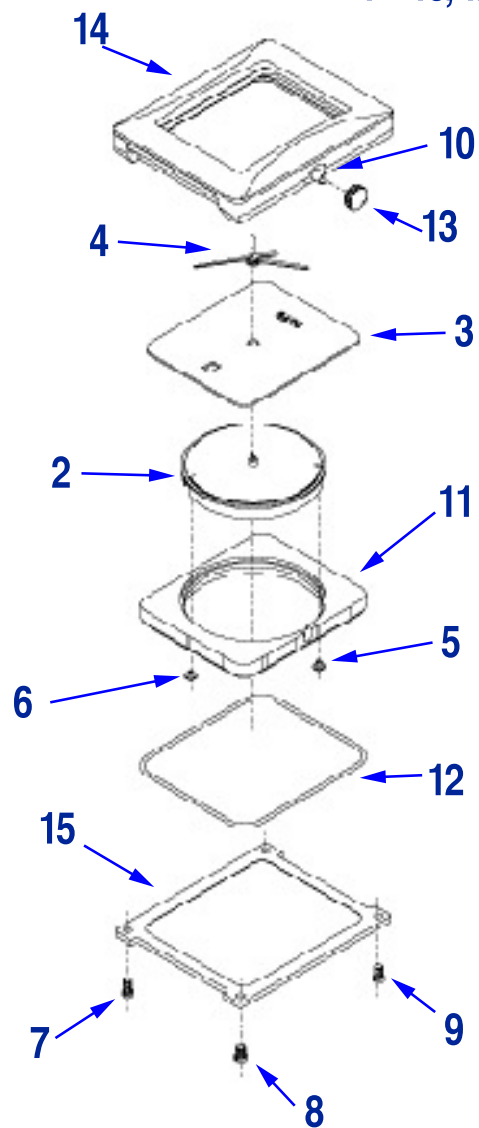


Reference:
04.129.3771.4.002

1 = 13, 12, 9, 8 & 7



	Reference	Name
Kit		
→	90.0180	1 Kit for waterproofness
Components		
→	03.129.762	2 Movement
→	05.3771.015	3 Dial black, Crysma Rect L
→	06.2275	4 Hands rhod, Crysma Rect. L
→	40.0017	5 Casing screw, ETA Z0080771
→	40.0017	6 Casing screw, ETA Z0080771
→	40.1030	7 Screw ø 1.65 x S1.20 x Lt 2.20
→	40.1030	8 Screw ø 1.65 x S1.20 x Lt 2.20
→	40.1030	9 Screw ø 1.65 x S1.20 x Lt 2.20
→	40.7292	10 case spare parts
→	40.8542	11 Movement Holder Crysma Rectang L
→	47.4539	12 Back seal Crysma Rectang L
→	48.105.23	13 Crown white, Crysma Rect. L, 3771
→	55.1819.52	14 Crystal met. Crysma rect. L W, black
→	82.129.3771.4	15 Case back w/ marks Crysma Rect L