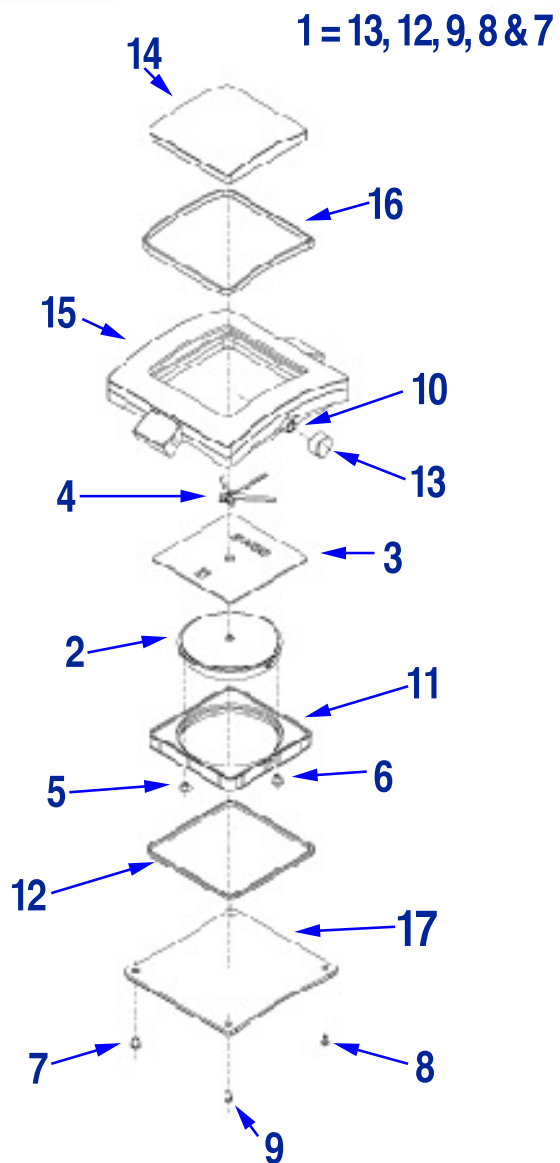


Reference:  
04.129.0986.3.001



	Reference	Name
<b>Kit</b>		
→	90.0342	<b>1</b> Kit for waterproofness
<b>Components</b>		
→	03.129.612	<b>2</b> Movement
→	05.0986.010	<b>3</b> Dial grey, DiaStar Square L
→	06.2948	<b>4</b> Hands H/M yellow Au2N, DiaStar L
→	40.0017	<b>5</b> Casing screw, ETA Z0080771
→	40.0017	<b>6</b> Casing screw, ETA Z0080771
→	40.1030	<b>7</b> Screw ø 1.65 x S1.20 x Lt 2.20
→	40.1030	<b>8</b> Screw ø 1.65 x S1.20 x Lt 2.20
→	40.1030	<b>9</b> Screw ø 1.65 x S1.20 x Lt 2.20
→	40.7341	<b>10</b> Crown tube 2.00 x 1.80 / 1.80 x 1.50
→	40.8564	<b>11</b> Casing-ring DiaStar L, Square
→	47.4550	<b>12</b> Back gasket 22.40 x 22.40 / 0.80
→	48.205.02	<b>13</b> Crown steel, Au2N, 0986
→	55.1840.00	<b>14</b> Crystal Sapphire DiaStar Square L
→	56.1544.02	<b>15</b> Bezel HM yellow, DiaStar Square L
→	81.0723	<b>16</b> Crystal gasket 21.90 x 21.90 Hytrel Natu
→	82.129.0986.3	<b>17</b> Case back w/marks, DiaStar Square L