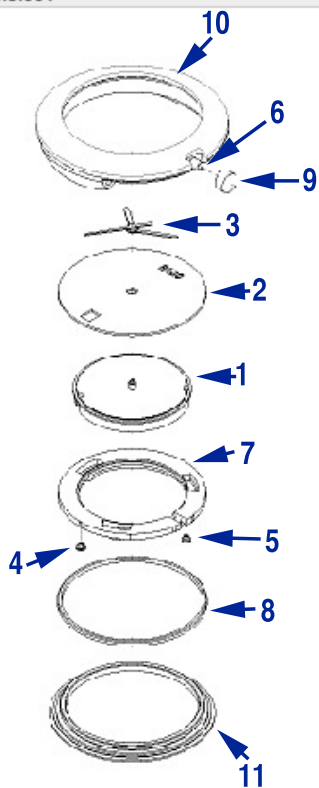


Reference:
04.129.0535.3.001



Reference

Name

Kit

→	90.0024	Kit for waterproofness
---	---------	------------------------

Components

→	03.129.502	1	Movement
→	05.0535.025	2	Dial Coupole Reg., L, yellow
→	06.2146	3	Hands COUPOLE Regional, L, yellow
→	40.0017	4	Casing screw, ETA Z0080771
→	40.0017	5	Casing screw, ETA Z0080771
→	40.7012	6	case spare parts
→	40.8100	7	Movementring
→	47.4308	8	Back seal Asutane 25,5x0,75
→	48.607.01	9	Crown yellow, Coupole L
→	55.1009.60	10	Crystal met. Coupole L, yellow
→	82.129.0535.3	11	Case back w/marks Coupole reg. L, yellow