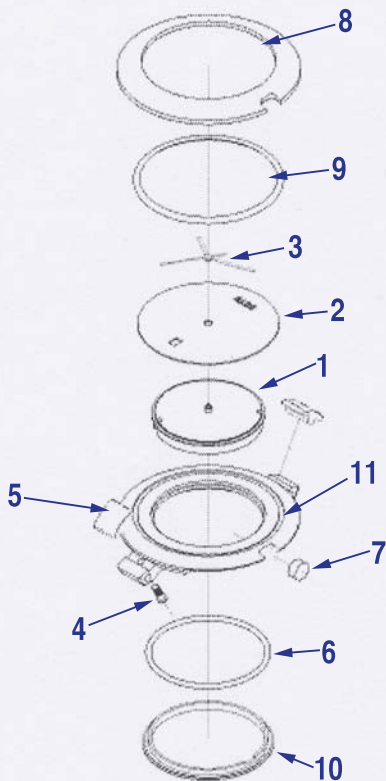


Reference:  
04.129.4075.4.004



Reference

Kit

→ 90.0026

Components

→ 1 03.129.702

→ 2 05.4075.016

→ 3 06.1465

→ 4 40.1017

→ 5 40.1115

→ 6 47.4045

→ 7 48.607.15

→ 8 55.1009.01

→ 9 81.0080

→ 10 82.129.4075.4

→ 11 83.0013