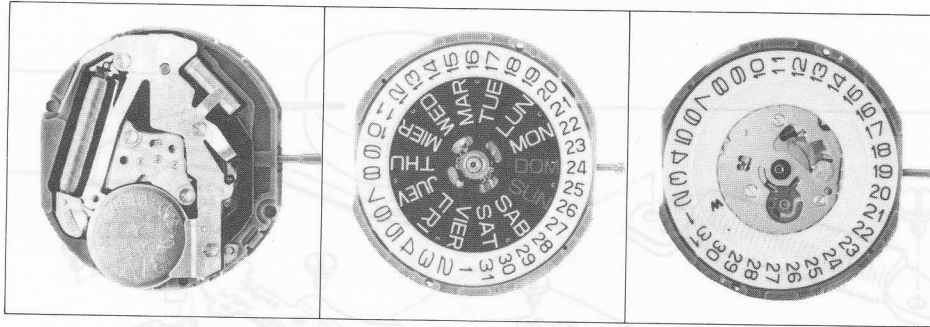


Catalog No. 38-1 ~ 38-2



38-1
(Catalog No.)

38-2
(Catalog No.)

38-2
(Catalog No.)

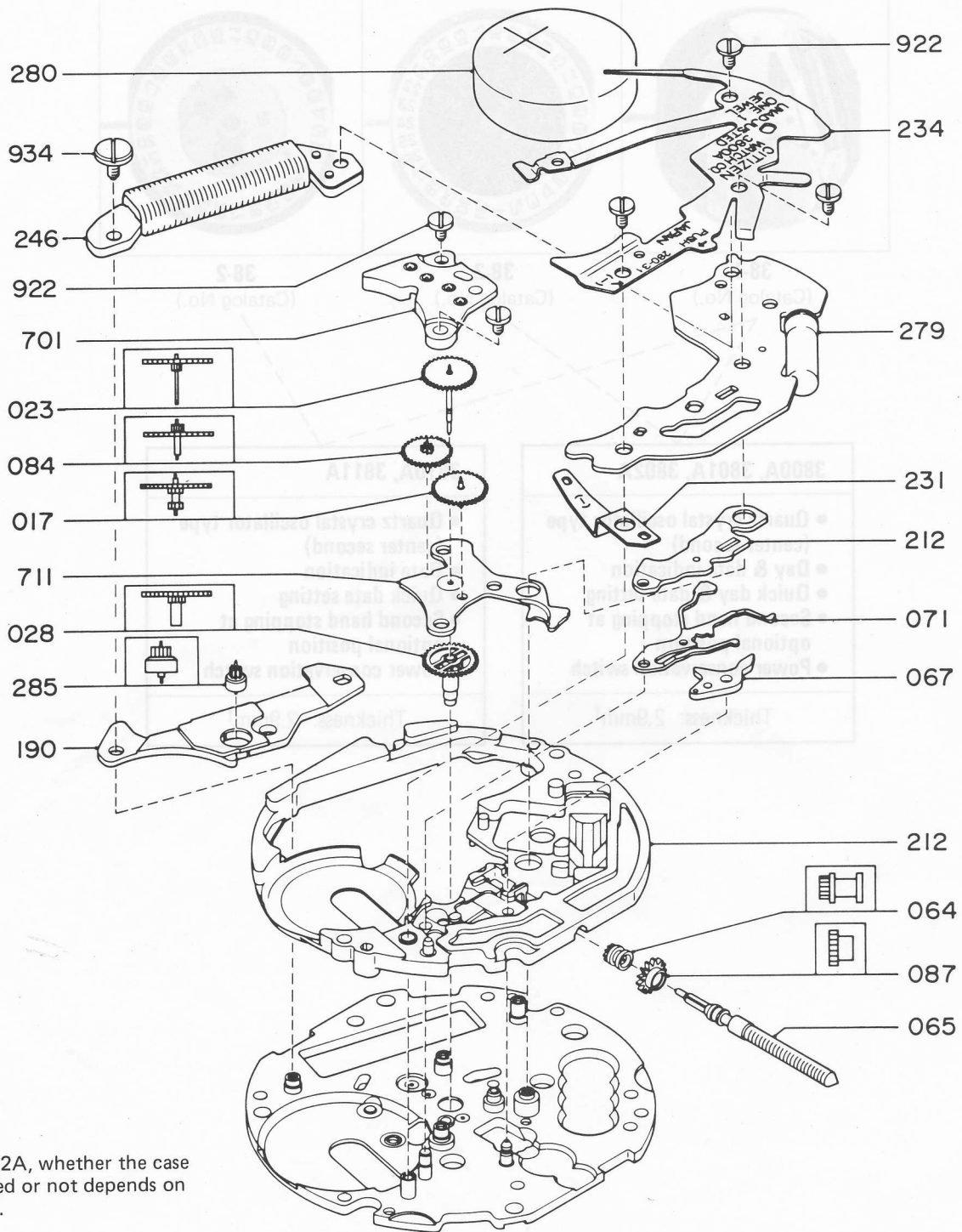
3800A, 3801A, 3802A
<ul style="list-style-type: none"> • Quartz crystal oscillator type (center second) • Day & date indication • Quick day & date setting • Second hand stopping at optional position • Power conservation switch
Thickness: 2.9mm ^t

3810A, 3811A
<ul style="list-style-type: none"> • Quartz crystal oscillator type (center second) • Date indication • Quick date setting • Second hand stopping at optional position • Power conservation switch
Thickness: 2.9mm ^t

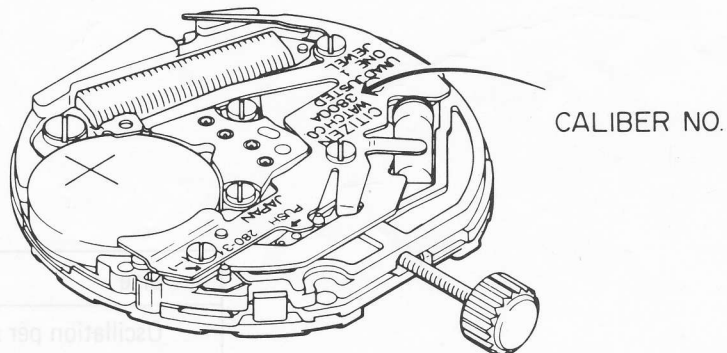
In Cal. 3803A, whether the case screw is used or not depends on the model.

CALIBER NO.

Size	22.0 x 23.7φmm
Oscillation per second	32,768Hz

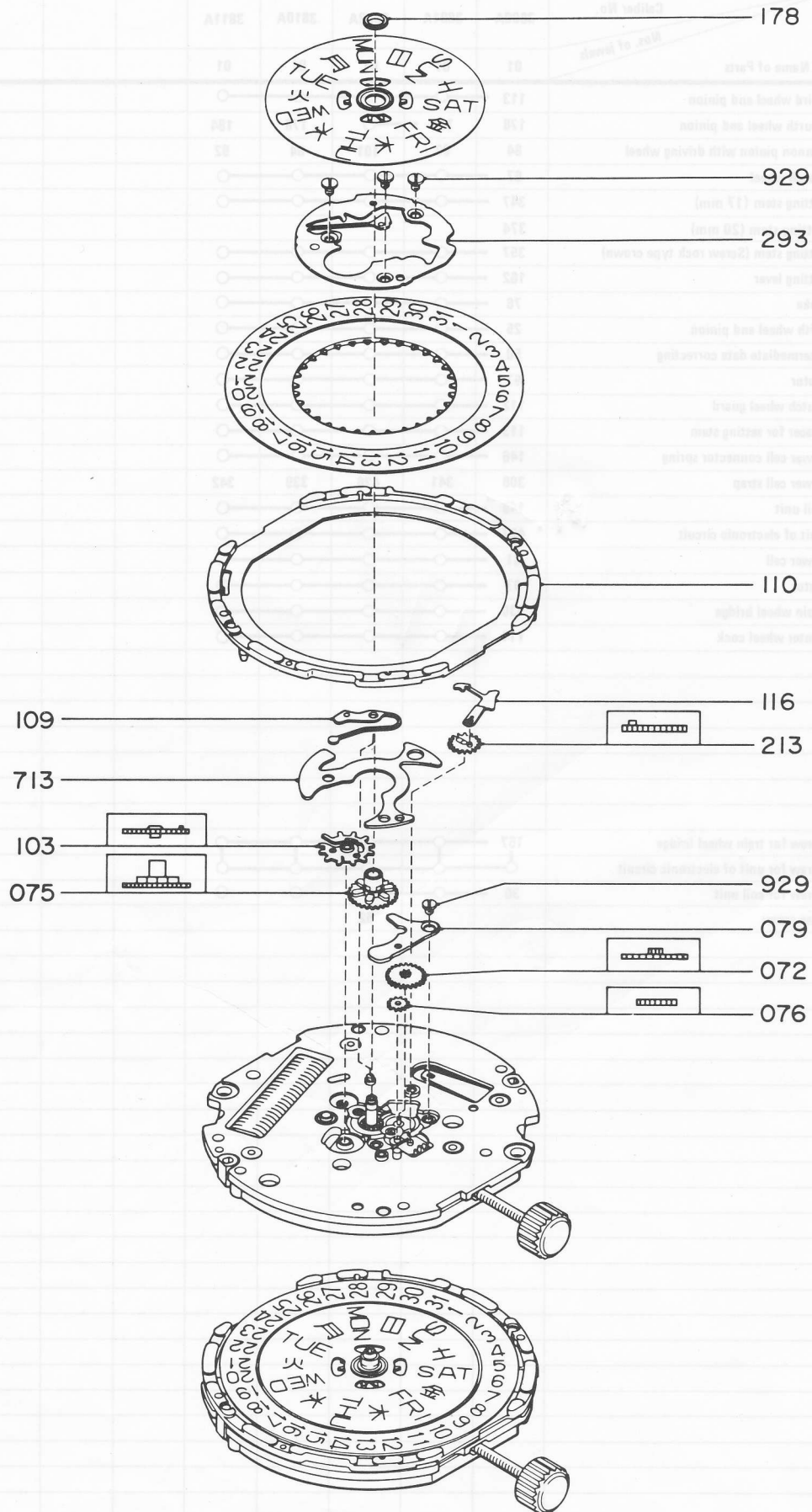


* In Cal. 3802A, whether the case screw is used or not depends on the models.



Catalog No. 38-1

Parts No.	Caliber No.		3800A	3801A	3802A	3810A	3811A												
	Nos. of jewels																		
	Name of Parts		01	01	01	01	01												
017	Third wheel and pinion	113	○	○	○	○	○												
023	Fourth wheel and pinion	178	184	○	○	178	184												
028	Cannon pinion with driving wheel	84	92	101	84	92													
064	Clutch wheel	67	○	○	○	○													
065	Setting stem (17 mm)	347	○	○	○	○													
065	Setting stem (20 mm)	374																	
065	Setting stem (Screw rock type crown)	357	○	○	○	○	○												
067	Setting lever	162	○	○	○	○	○												
071	Yoke	76	○	○	○	○	○												
084	Fifth wheel and pinion	25	○	○	○	○	○												
087	Intermediate date correcting	50	○	○	○	○	○												
190	Stator	67	○	○	○	○	○												
212	Clutch wheel guard	112	○	○	○	○	○												
212	Spacer for setting stem	113	○	○	○	○	○												
231	Power cell connector spring	146	○	○	○	○	○												
234	Power cell strap	308	341	426	339	342													
246	Coil unit	149	○	○	○	○	○												
279	Unit of electronic circuit	467	○	○	○	○	○												
280	Power cell	31	○	○	○	○	○												
285	Rotor	67	○	○	○	○	○												
701	Train wheel bridge	530	○	○	○	○	○												
711	Center wheel cock	114	○	○	○	○	○												
922	Screw for train wheel bridge	157	○	○	○	○	○												
922	Screw for unit of electronic circuit	○	○	○	○	○	○												
934	Screw for coil unit	36	○	○	○	○	○												
924	Case screw			62															



Catalog No. 38-2

Parts No.	Name of Parts	Caliber No.									
		3800A	3801A	3802A	3810A	3811A					
		Nos. of jewels									
		01	01	01	01	01					
072	Minute wheel and pinion	83	—○	86	83	—○					
075	Hour wheel	223	241	—○	223	241					
076	Setting wheel	61	—○	—○	—○	—○					
079	Minute wheel guard	83	—○	—○	—○	—○					
103	Date dial driving wheel	80	—○	—○	—○	—○					
109	Date jumper	47	—○	—○	—○	—○					
110	Dial guard ring	19	—○	—○	—○	—○					
116	Calendar corrector lever	40	—○	—○	—○	—○					
178	Day dial gib	14	—○	—○							
213	Date corrector wheel	26	—○	—○	—○	—○					
293	Date dial guard	74	—○	—○	76	—○					
713	Date dial guard	079	—○	—○	—○	—○					
929	Screw for minute wheel guard	42	—○	—○	—○	—○					
929	Screw for date dial guard		—○	—○	—○	—○					

Jewels

Parts No.	Name of Parts	Caliber No.									
		3800A	3801A	3802A	3810A	3811A					
		Nos. of jewels									
		01	01	01	01	01					
942	Rotor /U	81	—○	—○	—○	—○					
950	Rotor /L	171	—○	—○	—○	—○					
950	3rd W/L	172	—○	—○	—○	—○					
950	3rd W/U	173	—○	—○	—○	—○					
950	5th W/U	173	—○	—○	—○	—○					
950	5th W/L	173	—○	—○	—○	—○					
950	4th W/U	181	—○	—○	—○	—○					